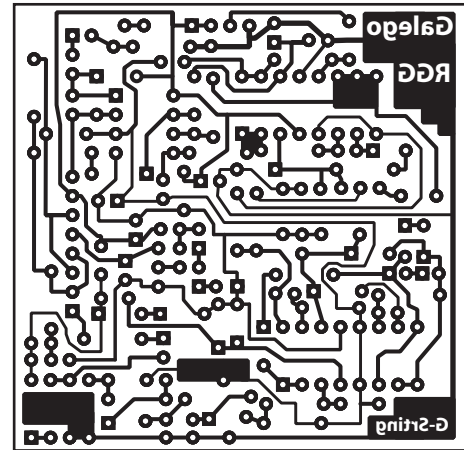
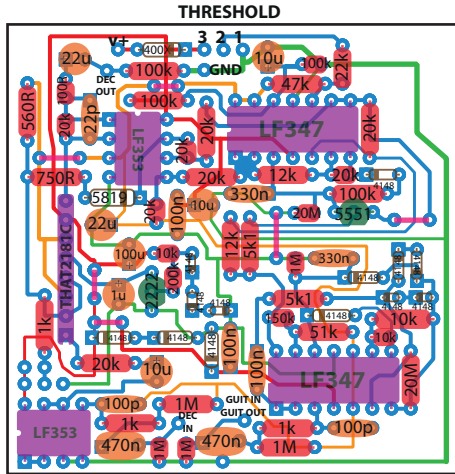


ISP-DECIMATOR-G-STRING

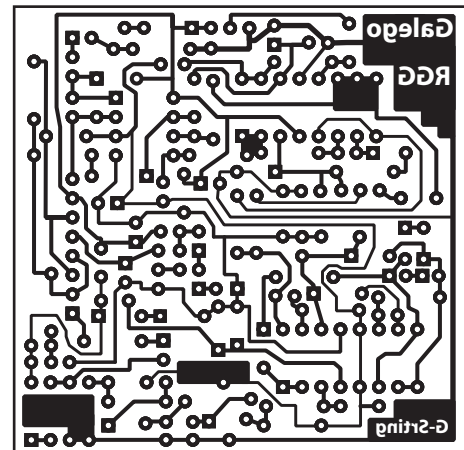
Based on schematic and layout by João Galego

Layout modified by Fernando Ruz

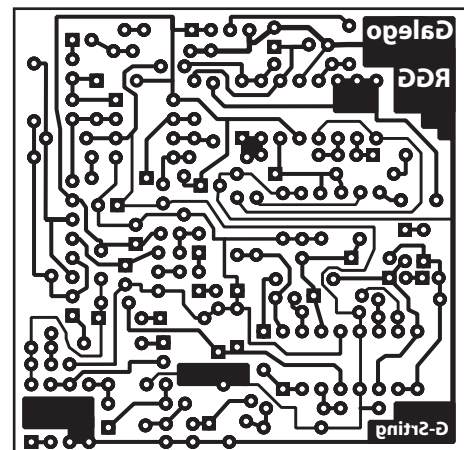
Thanks to StefSamy for the pictures



60x59mm



60x59mm



60x59mm

ICS:

- 2 x LF347
- 2 x LF353
- 1 x THAT2181C

TRS:

- 1 x MPS2222A
- 1 x 2N5551

DIODES:

- 13 x 1N4148 (1N914)
- 1 x 1N5819 (MBR150)
- 1 x 1N400X (Protection diode)

POT:

- 1 x 10KB